

RT4000 (C563)

## PARTS CATALOG

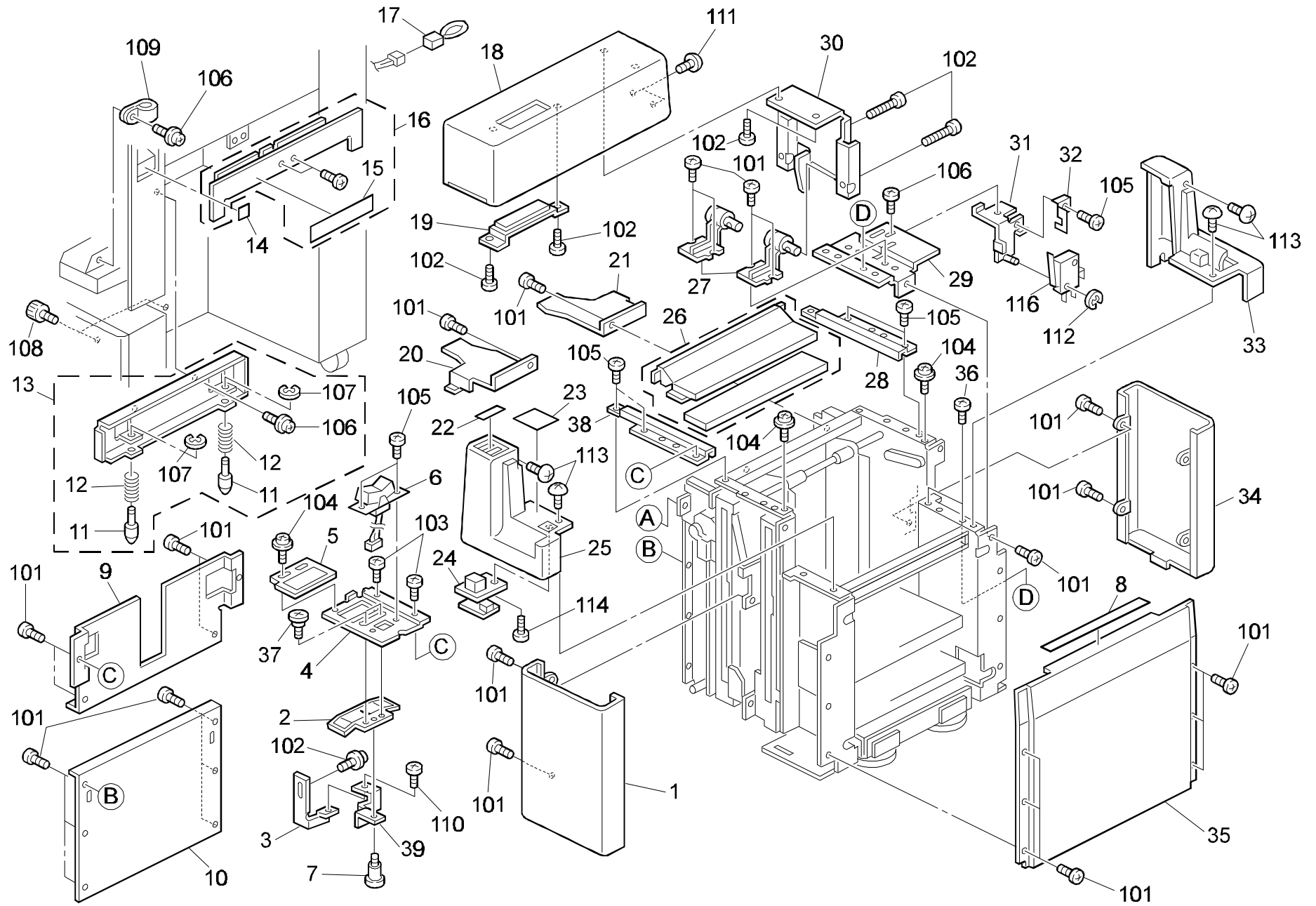
### INTRODUCTION

This chapter instructs you the numbers and names of parts on this machine.

### INDEX to PARTS CATALOG

1.Exterior (C563) .....	2
2.LCT Drive Section (C563) .....	4
3.Paper Tray Section (C563) .....	6
4.Shift Drice Section (C563) .....	8
5.Cassette & Lct Table (C563) .....	10
6.Decal And Document (C563).....	12
Parts Index .....	15

# 1. EXTERIOR (C563)

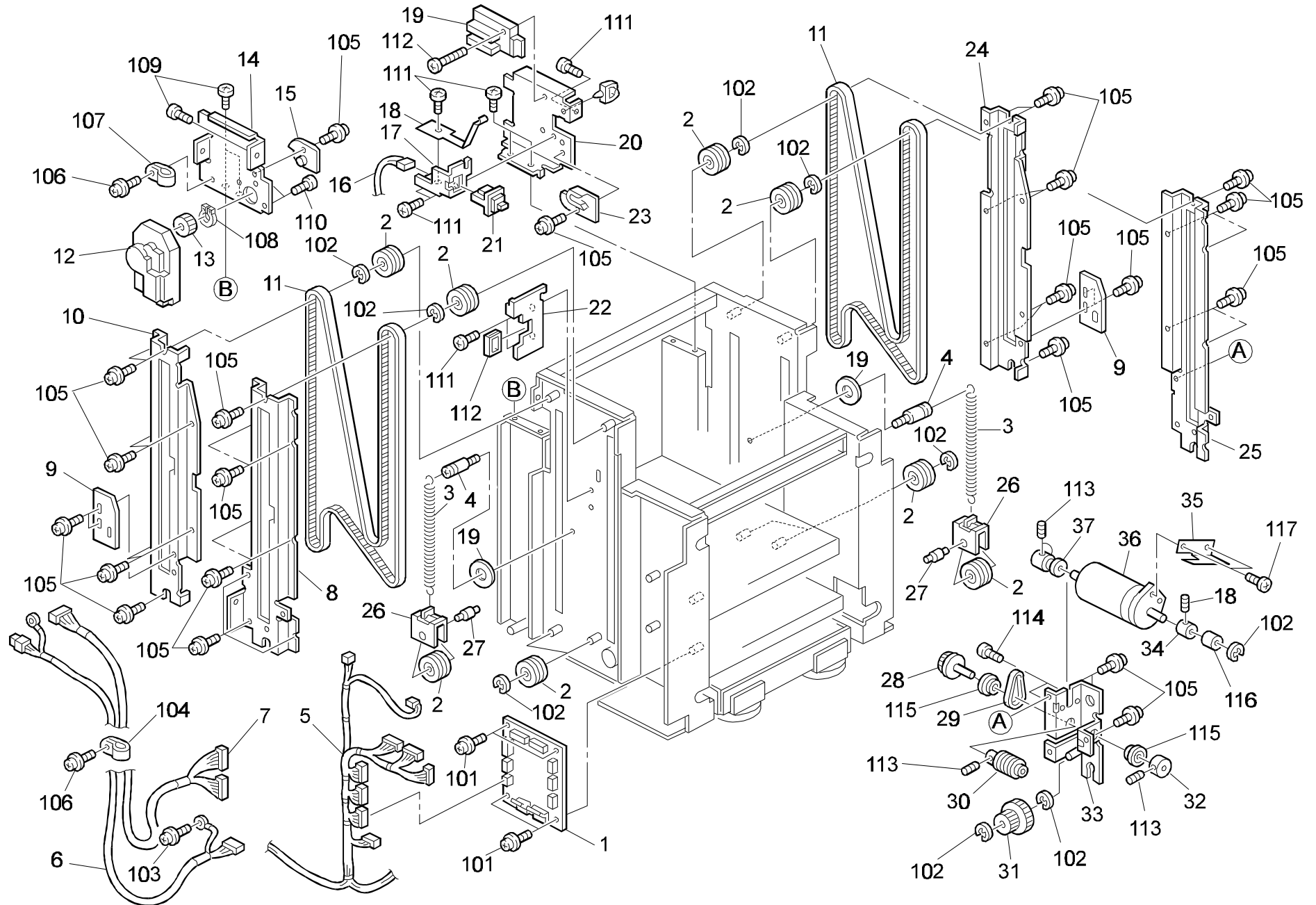


# 1. EXTERIOR (C563)

Index No.	Part No.	Description	Q'ty Per Assembly
1	C563 4514	Lower Cover	1
2	C563 4409	Indicator	1
3	C563 4415	Joint Arm	1
4	C563 4412	LCT Indicator	1
5	C563 4413	Indicator Cover	1
6	C563 5800	LCT Main Switch	1
7	AA14 3394	Stepped Screw - M3x10	1
8	C563 6127	Decal - Tray Safety	1
9	C563 2344	Upper Support Plate	1
10	C563 1238	Front Side Plate	1
11	C563 6116	Positioning Pin	2
12	C563 6117	Spring	2
13	C563 6114	Position Bracket	1
14	C563 6121	Decal - Paper Switch	1
15	C563 4327	Decal - Operation	1
16	C563 4326	LCT Joint Cover	1
17	C563 5320	Paper Tray Harness	
18	C563 4110	LCT Top Cover	1
19	C563 4114	Paper Check Window	1
20	C563 4540	Left Guide Plate	1
21	C563 4541	Right Guide Plate	1
22	C563 4330	Decal - Key Switch	1
23	C563 4320	Decal - Paper	1
24	A053 7620	Operation Board - LCT	1
25	C563 4309	Operation Panel Cover	1
26	C563 4209	Center Cover	1
27	C563 4120	Hinge Bracket	2
28	C563 4216	Right Slide Rail	1
29	C563 4120	Hinge Bracket	1
30	C563 4111	Cover Hinge	1
31	C563 4121	Sensor Cover Bracket	1
32	C200 3755	Plate Spring	1
33	C563 4510	Rear Cover	1
34	C563 4514	Lower Cover	1
35	C563 4512	Rear Side Plate	1

Index No.	Part No.	Description	Q'ty Per Assembly
36	5875 2088	Shoulder Screw - M4	1
37	5353 4258	Screw - Slider	2
38	C563 4214	Left Slide Rail	1
39	C563 4416	Indicator Arm	1
101	0314 0060Z	Philips Pan Head Screw - M4x6	
102	0965 4008B	Tapping Screw - M4x8	
103	0313 0040Z	Philips Pan Head Screw - M3x4	
104	0951 3006Z	Philips Screw With Flat Washer - M3	
105	0313 0050Z	Philips Screw - 3x5	
106	0951 4006Z	Philips Screw With Flat Washer - M4	
107	0720 0040E	Retaining Ring - M4	
108	0803 0018	Knob Screw	
109	1105 0012	Nylon Clip - 10N	
110	0314 0050Z	Philips Pan Head Screw - M4x5	
111	0344 0060F	Philips Truss Head Screw - M4x6	
112	0720 0020Z	Retaining Ring - M2	
113	0344 0080F	Philips Truss Head Screw - M4x8	
114	0802 5237	Tapping Screw - M4x10	
116	1204 2356	Micro Switch - AM51612A531	

## 2. LCT DRIVE SECTION (C563)

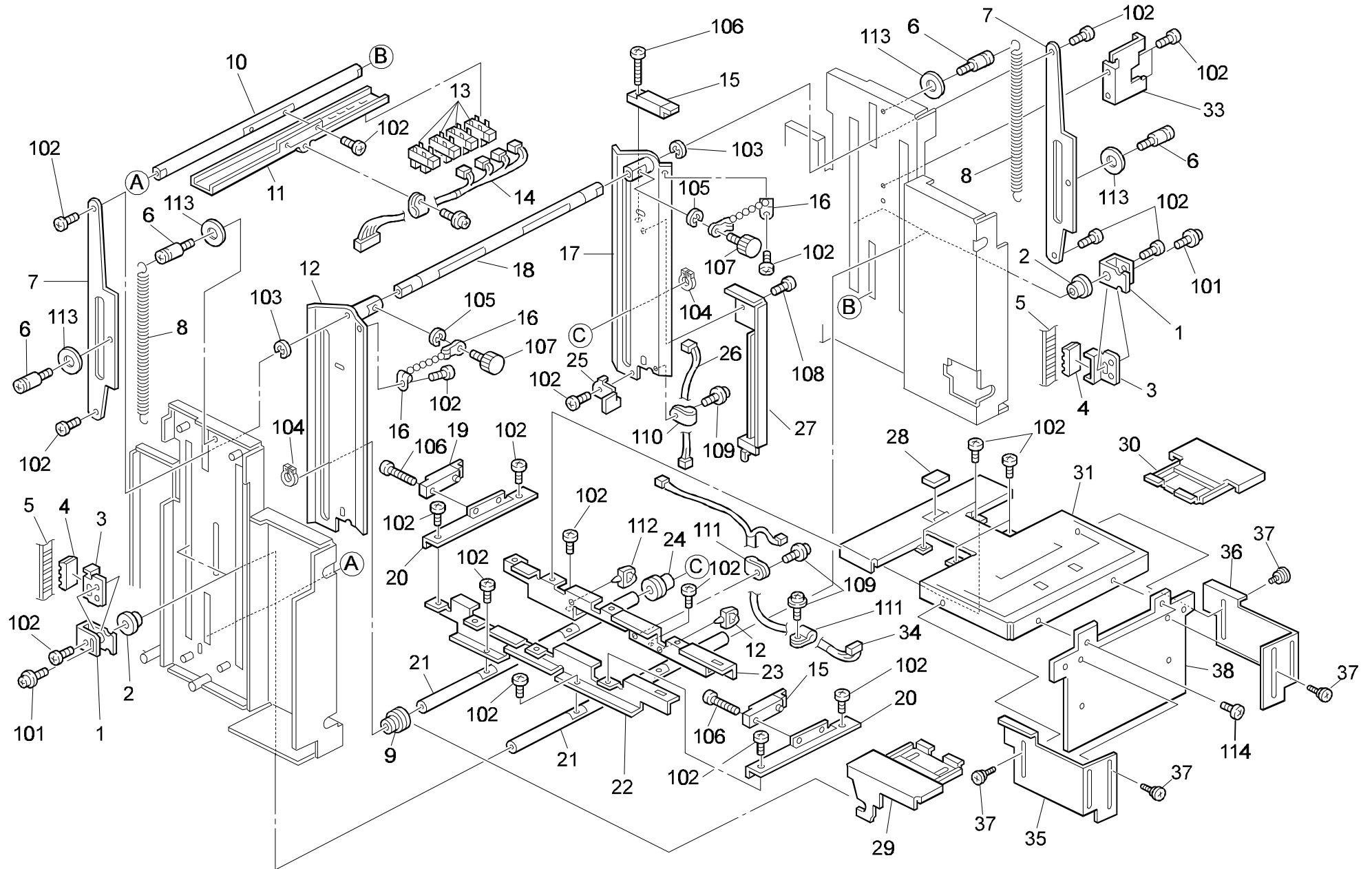


## 2. LCT DRIVE SECTION (C563)

Index No.	Part No.	Description	Q'ty Per Assembly
1	C563 5100	I/O Control Board	1
2	C563 3120	Driven Pulley	8
3	C217 5512	Print Pressure Spring	2
4	5403 2819	Spring Anchor - Reverse Roller	2
5	C563 5321	Main Hrness	1
6	C563 5820	Power Supply Harness	1
7	C563 5810	LCT Relay Harness	1
8	C563 3214	Front Right Support Plate	1
9	C563 3126	Tension Bracket	2
10	C563 3210	Front Left Support Plate	1
11	C563 3110	Timing Belt - 496 S5M	2
12	AX04 0063	Tray Lift Motor - DC 3.6w	1
13	C563 1312	Gear - 20Z	1
14	C563 2322	Left Bracket - Cassette	1
15	C563 2324	Busing	1
16	C563 5307	Cassette Relay Harness	1
17	C563 2334	Cassette Sensor Bracket	1
18	C563 2335	Sensor Actuator	1
19	5205 5253	Photointerruptor Pack	1
20	C563 2332	Right Cassette Bracket	1
21	AW50 0012	Push Switch	1
22	C563 4516	Left Cover Bracket	1
23	C563 2324	Busing	1
24	C563 3216	Rear Left Support Plate	1
25	C563 3212	Rear Right Support Plate	1
26	C563 3122	Pulley Bracket	2
27	C563 3124	Pulley Shaft	2
28	A380 1433	Timing Pulley - S2M T70	1
29	A380 1434	Timing Belt - S2M T76	1
30	C563 3332	Worm Gear	1
31	C563 3342	Gear - 44Z/24Z	1
32	A006 2982	Spacer - M6x9	1
33	C563 3310	Drive Motor Bracket	1
34	C563 3362	Bracke Shaft	1
35	C563 3364	Spring Plate	1

Index No.	Part No.	Description	Q'ty Per Assembly
36	C563 5802	DC Motor - 24V 13W	1
37	AB03 0216	Pulley - 15Z	1
101	0951 3005Z	Philips Pan Head Screw - M3x5	
102	0720 0060E	Retaining Ring - M6	
103	0951 4008Z	Philips Screw With Flat Washer M4x8	
104	1105 0012	Nylon Clip - 10N	
105	0951 4006Z	Philips Screw With Flat Washer - M4	
106	0960 4008Z	Flange Head Screw - 4x8	
107	1105 0016	Nylon Clip - 4N	
108	0727 0080E	Retaining Ring - M8	
109	0314 0060Z	Philips Pan Head Screw - M4x6	
110	0802 5237	Tapping Screw - M4x10	
111	0314 0060Z	Philips Pan Head Screw - M4x6	
112	1105 0334	Edge - 17	
113	0574 0040E	Hexagon Headless Set Screw - M4x4	
114	0313 0060Z	Philips Pan Head Screw - M3x6	
115	0741 3006	Ball Bearing - 6x17x6mm	
116	0805 3238	Clutch	
117	0800 0072	Philips Pan Head Screw - M2.6x4	
118	0573 0030E	Hexagon Headless Set Screw - M3x3	
119	0708 0040Z	Flat Washer - M4	

### 3. PAPER TRAY SECTION (C563)



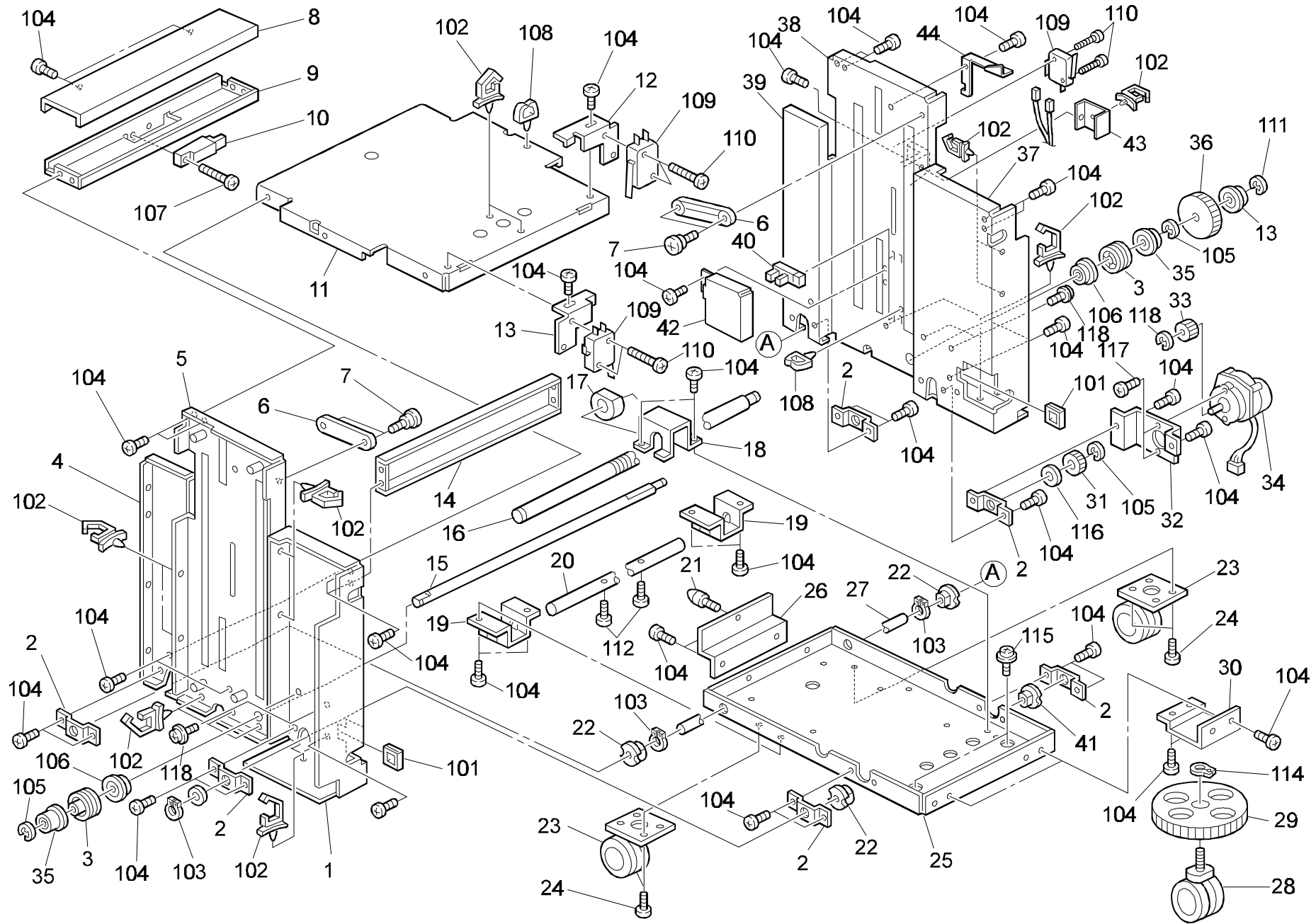
### 3. PAPER TRAY SECTION (C563)

Index No.	Part No.	Description	Q'ty Per Assembly
1	C563 3114	Belt Bracket Plate	2
2	AA08 0002	Bushing - 10x14x4.5	2
3	C563 3112	Belt Bracket	2
4	C563 3116	Belt Joint	2
5	C563 3110	Timing Belt - 496 S5M	2
6	5413 2266	Spring Anchor	4
7	C563 2240	Outer Side Fence	2
8	C563 2242	Spring	2
9	C563 2236	Busing	1
10	C563 2232	Sensor Shaft	1
11	C563 2234	Paper Size Sensor Bracket	1
12	C563 2210	Left Side Fence	1
13	AW02 0075	Photointerrupter	4
14	C563 5306	Paper Size Sensor Harness	1
15	AW01 0009	Photosensor	2
16	C563 2250	Stepped Screw	3
17	C563 2214	Right Side Fence	1
18	C563 2230	Fixing Shaft	1
19	A422 5270	Photosensor	1
20	C563 2124	Sensor Bracket	2
21	C563 2140	Paper Tray Support Shaft	1
22	C563 2120	Left Support Plate	1
23	C563 2122	Right Support Plate	1
24	C563 2236	Busing	1
25	C563 2220	Paper Size Actuator	1
26	C563 5305	Paper Sensor Harness	1
27	C563 2218	Side Fence Harness Cover	1
28	5507 6828	Rubber Plate - Feed Table	1
29	C563 2130	Left Slide Tray	1
30	C563 2134	Righy Slide Tray	1
31	C563 2106	Paper Tray	1
33	C563 4518	Richt Cover Bracket	1
34	C563 5304	Tray Harness	1
35	C563 2151	Front Cover - Paper Tray	1
36	C563 2152	Rear Cover - Paper Tray	1

Index No.	Part No.	Description	Q'ty Per Assembly
37	AA14 3005	Stepped Screw - M4x2.5	6
38	C563 2150	Right Cover - Paper Tray	1
101	0951 3005Z	Philips Pan Head Screw - M3x5	
102	0314 0060Z	Philips Pan Head Screw - M4x6	
103	0720 0080E	Retaining Ring - M8	
104	0725 0140E	Retaining Ring (C Type) - M14	
105	0720 0030E	Retaining Ring - M3	
106	0313 0100Z	Philips Pan Head Screw - M3x10	
107	0803 0018	Knob Screw	
108	0313 0050Z	Philips Screw - 3x5	
109	0960 4008Z	Flange Head Screw - 4x8	
110	1105 0008	Nylon Clip - 2N	
111	1105 0016	Nylon Clip - 4N	
112	1105 0229	Clamp	
113	0708 0040Z	Flat Washer - M4	
114	0344 0060F	Philips Truss Head Screw - M4x6	



# 4. SHIFT DRICE SECTION (C563)

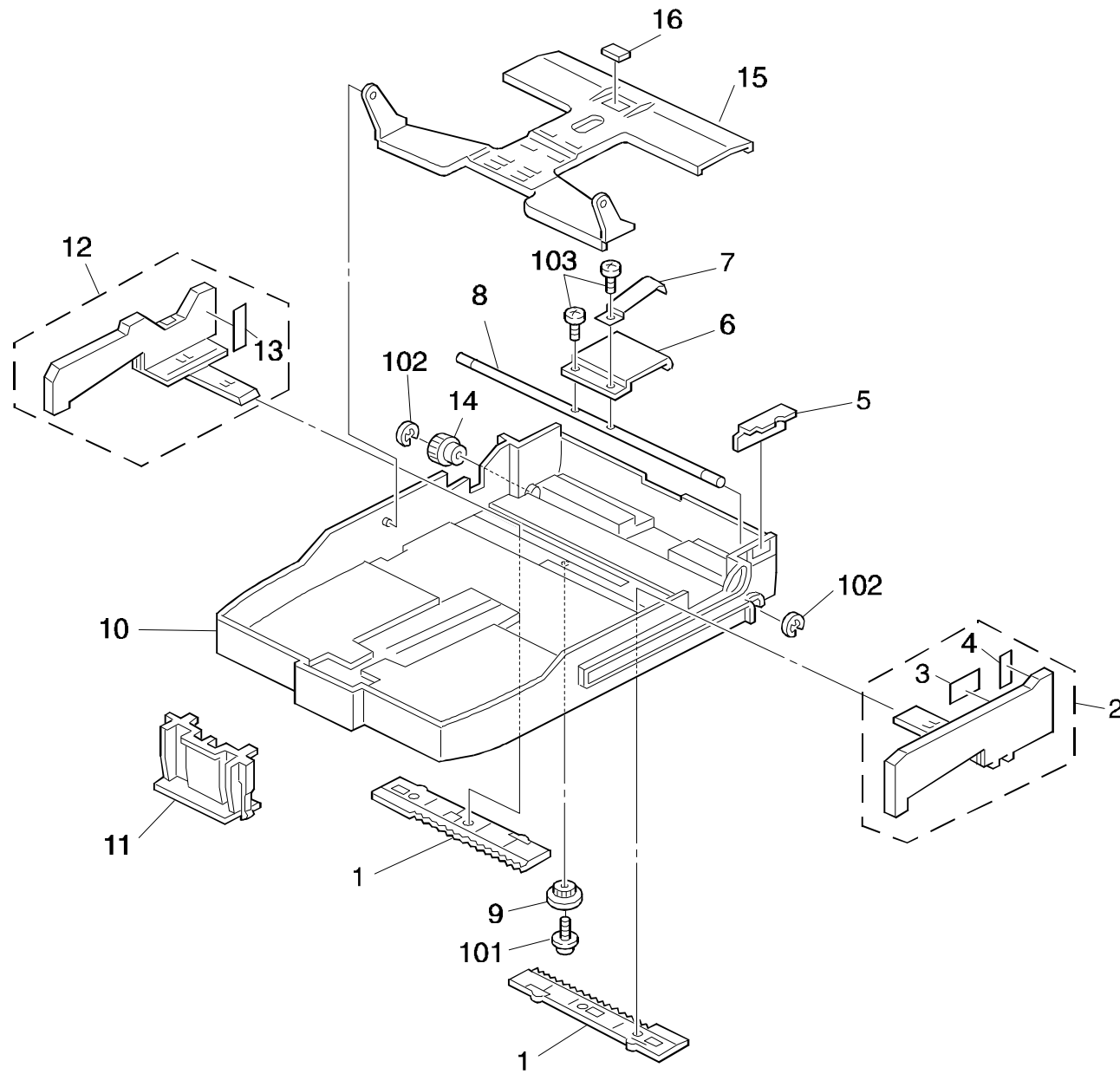


#### 4. SHIFT DRICE SECTION (C563)

Index No.	Part No.	Description	Q'ty Per Assembly
1	C563 1210	Rear Left Plate	1
2	C563 1130	Bushing Holder	6
3	A380 1803	Timing Pulley - S5M 22Z	2
4	C563 1218	Front Left Side Plate	1
5	C563 1214	Middle Left Side Plate	1
6	C563 2340	Cassette Rail	2
7	C201 5125	Shoulder Screw - M4	2
8	C563 1232	Sensor Stay Cover	1
9	C563 1230	Sensor Plate	1
10	AW01 0009	Photosensor	1
11	C563 1236	Paper Feed Base	1
12	C563 1322	Sensor Right Bracket	1
13	C563 1320	Sensor Left Bracket	1
14	C563 1234	Stay	1
15	C563 3130	Pulley Drive Shaft	1
16	C563 1120	Drive Cam Shaft	1
17	C563 1122	Block	1
18	C563 1123	Block Holder	1
19	C563 1116	Holder Shaft Bracket	2
20	C563 1115	Holder Shaft	1
21	5446 2865	Guide Screw - 6mm	1
22	C563 1132	Bushing - 12x18x8	3
23	AH01 2014	Caster - 60Kgf	2
24	A507 1096	Philips Screw - M5x6	2
25	C563 1110	Bace Plate	1
26	C563 6112	Joint Bracket	1
27	C563 1121	Shaft	1
28	C563 1114	Bace Adjuster	1
29	C563 1117	Adjuster Knob	1
30	C563 1111	Adjuster Bracket	1
31	AB01 3485	Gear - 20Z	1
32	C563 1310	Left lift Bracket	1
33	C563 1312	Gear - 20Z	1
34	C563 5803	DC Motor - 24V	1
35	C563 3132	Flange	2

Index No.	Part No.	Description	Q'ty Per Assembly
36	C563 3350	Drive Gear - 45Z	1
37	C563 1220	Rear Right Side Plate	1
38	C563 1222	Middle Right Side Plate	1
39	C563 1226	Front Right Side Plate	1
40	AW02 0075	Photointerrupter	1
41	C563 1131	Bushing	1
42	C563 1241	Harness Cover	1
43	C563 1242	Support Plate Cover	1
44	C563 1240	Upper Cover Actuator	1
101	1105 0334	Edge - 17	
102	1105 0291	Wire Saddle	
103	0725 0120E	Retaining Ring C - M12	
104	0314 0060Z	Philips Pan Head Screw - M4x6	
105	0720 0060E	Retaining Ring - M6	
106	0741 3808	Ball Bearing - 8x16x5mm	
107	0313 0100Z	Philips Pan Head Screw - M3x10	
108	1105 0229	Clamp	
109	1204 2356	Micro Switch - AM51612A531	
110	0313 0120Z	Philips Screw - 3x12	
111	0720 0040E	Retaining Ring - M4	
112	0313 0050Z	Philips Screw - 3x5	
113	0741 3006	Ball Bearing - 6x17x6mm	
114	0725 0100E	Retaining Ring - M10	
115	0803 0041	Shoulder Screw	
116	0807 5056	Washer - 8.1mm	
117	0802 5233	Tapping Screw - M3x10	
118	0951 4008Z	Philips Screw With Flat Washer M4x8	
119	0720 0025E	Retaining Ring - M2.5	

# 5. CASSETTE & LCT TABLE (C563)


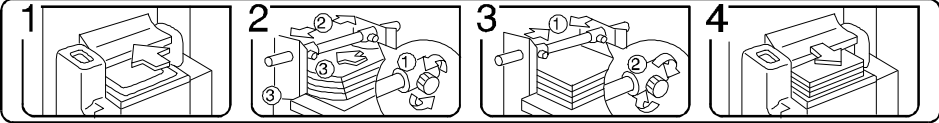

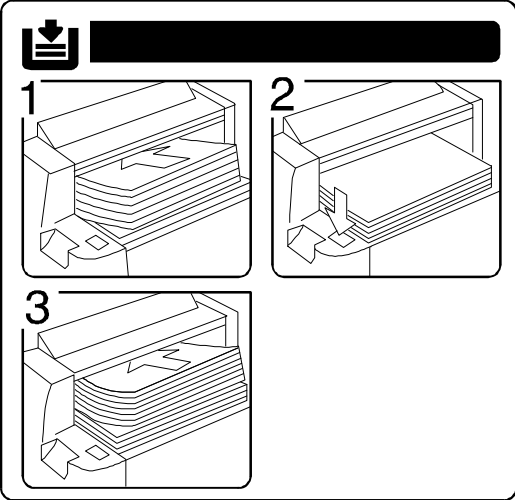



## 5. CASSETTE & LCT TABLE (C563)

Index No.	Part No.	Description	Q'ty Per Assembly
1	C563 2319	Side Fence Lack	2
2	C563 2410	Right Side Fence	1
3	G012 2345	Decal - Paper Limmit	1
4	C563 2421	Side Fence Pad	1
5	5205 2960	Actuator - A3	1
5	5205 2961	Actuator - B4	1
5	5205 2962	Actuator - A4R	1
5	5205 2963	Actuator - B5R	1
5	5205 2964	Actuarot - A4	1
5	5205 2965	Actuator - B5	1
5	5205 2966	Actuator - A5R	1
5	5205 2970	Actuator - A6R	1
6	A134 2967	Bottom Lift Lever	1
7	C563 2313	Pressuer Plate	1
8	C563 2315	Drive Shaft	1
9	G012 3050	Side Fence Gear	1
10	C563 2405	Cassette Ass'y	1
11	G657 2056	End Fence	1
12	C563 2420	Left Side Fence	1
13	C563 2421	Side Fence Pad	1
14	C563 2316	Gear - 20Z	1
15	C563 2403	Cassette Bottom Plate	1
16	5507 6828	Rubber Plate - Feed Table	1

Index No.	Part No.	Description	Q'ty Per Assembly
101	0965 3006B	Tapping Screw With Flat Washer M3x6	
102	0720 0060E	Retaining Ring - M6	

## 6. DECAL AND DOCUMENT (C563)

<p>1</p> 	<p>2</p> 		
<p>3</p> 	<p>4</p> 	<p>5</p> 	

## 6. DECAL AND DOCUMENT (C563)

Index No.	Part No.	Description	Q'ty Per Assembly
1	C563 6121	Decal - Paper Switch	1
2	C563 4327	Decal - Operation	1
3	C563 4330	Decal - Key Switch	1
4	C563 4320	Decal - Paper	1
5	G012 2345	Decal - Paper Limmit	1

Index No.	Part No.	Description	Q'ty Per Assembly

# PARTS INDEX

Part No.	Description	Page and Index No.
AA08 0002	Bushing - 10x14x4.5	7- 2
AA14 3005	Stepped Screw - M4x2.5	7- 37
AA14 3394	Stepped Screw - M3x10	3- 7
AB01 3485	Gear - 20Z	9- 31
AB03 0216	Pulley - 15Z	5- 37
AH01 2014	Caster - 60Kgf	9- 23
AW01 0009	Photosensor	7- 15
AW01 0009	Photosensor	9- 10
AW02 0075	Photointerrupter	7- 13
AW02 0075	Photointerrupter	9- 40
AW50 0012	Push Switch	5- 21
AX04 0063	Tray Lift Motor - DC 3.6w	5- 12
C200 3755	Plate Spring	3- 32
C201 5125	Shoulder Screw - M4	9- 7
C217 5512	Print Pressure Spring	5- 3
C563 1110	Bace Plate	9- 25
C563 1111	Adjuster Bracket	9- 30
C563 1114	Bace Adjuster	9- 28
C563 1115	Holder Shaft	9- 20
C563 1116	Holder Shaft Bracket	9- 19
C563 1117	Adjuster Knob	9- 29
C563 1120	Drive Cam Shaft	9- 16
C563 1121	Shaft	9- 27
C563 1122	Block	9- 17
C563 1123	Block Holder	9- 18
C563 1130	Bushing Holder	9- 2
C563 1131	Bushing	9- 41
C563 1132	Bushing - 12x18x8	9- 22
C563 1210	Rear Left Plate	9- 1
C563 1214	Middle Left Side Plate	9- 5
C563 1218	Front Left Side Plate	9- 4
C563 1220	Rear Right Side Plate	9- 37
C563 1222	Middle Right Side Plate	9- 38
C563 1226	Front Right Side Plate	9- 39
C563 1230	Sensor Plate	9- 9

Part No.	Description	Page and Index No
C563 1232	Sensor Stay Cover	9- 8
C563 1234	Stay	9- 14
C563 1236	Paper Feed Base	9- 11
C563 1238	Front Side Plate	3- 10
C563 1240	Upper Cover Actuator	9- 44
C563 1241	Harness Cover	9- 42
C563 1242	Support Plate Cover	9- 43
C563 1310	Left lift Bracket	9- 32
C563 1312	Gear - 20Z	5- 13
C563 1312	Gear - 20Z	9- 33
C563 1320	Sensor Left Bracket	9- 13
C563 1322	Sensor Right Bracket	9- 12
C563 2106	Paper Tray	7- 31
C563 2120	Left Support Plate	7- 22
C563 2122	Right Support Plate	7- 23
C563 2124	Sensor Bracket	7- 20
C563 2130	Left Slide Tray	7- 29
C563 2134	Righy Slide Tray	7- 30
C563 2140	Paper Tray Support Shaft	7- 21
C563 2150	Right Cover - Paper Tray	7- 38
C563 2151	Front Cover - Paper Tray	7- 35
C563 2152	Rear Cover - Paper Tray	7- 36
C563 2210	Left Side Fence	7- 12
C563 2214	Right Side Fence	7- 17
C563 2218	Side Fence Harness Cover	7- 27
C563 2220	Paper Size Actuator	7- 25
C563 2230	Fixing Shaft	7- 18
C563 2232	Sensor Shaft	7- 10
C563 2234	Paper Size Sensor Bracket	7- 11
C563 2236	Busing	7- 9
C563 2236	Busing	7- 24
C563 2240	Outer Side Fence	7- 7
C563 2242	Spring	7- 8
C563 2250	Stepped Screw	7- 16
C563 2313	Pressuer Plate	11- 7



Part No.	Description	Page and Index No.
C563 2315	Drive Shaft	11- 8
C563 2316	Gear - 20Z	11- 14
C563 2319	Side Fence Lack	11- 1
C563 2322	Left Bracket - Cassette	5- 14
C563 2324	Busing	5- 15
C563 2324	Busing	5- 23
C563 2332	Right Cassette Bracket	5- 20
C563 2334	Cassette Sensor Bracket	5- 17
C563 2335	Sensor Actuator	5- 18
C563 2340	Cassette Rail	9- 6
C563 2344	Upper Support Plate	3- 9
C563 2403	Cassette Bottom Plate	11- 15
C563 2405	Cassette Ass'y	11- 10
C563 2410	Right Side Fence	11- 2
C563 2420	Left Side Fence	11- 12
C563 2421	Side Fence Pad	11- 4
C563 2421	Side Fence Pad	11- 13
C563 3110	Timing Belt - 496 S5M	5- 11
C563 3110	Timing Belt - 496 S5M	7- 5
C563 3112	Belt Bracket	7- 3
C563 3114	Belt Bracket Plate	7- 1
C563 3116	Belt Joint	7- 4
C563 3120	Driven Pulley	5- 2
C563 3122	Pulley Bracket	5- 26
C563 3124	Pulley Shaft	5- 27
C563 3126	Tension Bracket	5- 9
C563 3130	Pulley Drive Shaft	9- 15
C563 3132	Flange	9- 35
C563 3210	Front Left Support Plate	5- 10
C563 3212	Rear Right Support Plate	5- 25
C563 3214	Front Right Support Plate	5- 8
C563 3216	Rear Left Support Plate	5- 24
C563 3310	Drive Motor Bracket	5- 33
C563 3332	Worm Gear	5- 30
C563 3342	Gear - 44Z/24Z	5- 31

Part No.	Description	Page and Index No.
C563 3350	Drive Gear - 45Z	9- 36
C563 3362	Bracke Shaft	5- 34
C563 3364	Spring Plate	5- 35
C563 4110	LCT Top Cover	3- 18
C563 4111	Cover Hinge	3- 30
C563 4114	Paper Check Window	3- 19
C563 4120	Hinge Bracket	3- 27
C563 4120	Hinge Bracket	3- 29
C563 4121	Sensor Cover Bracket	3- 31
C563 4209	Center Cover	3- 26
C563 4214	Left Slide Rail	3- 38
C563 4216	Right Slide Rail	3- 28
C563 4309	Operation Panel Cover	3- 25
C563 4320	Decal - Paper	3- 23
C563 4320	Decal - Paper	13- 4
C563 4326	LCT Joint Cover	3- 16
C563 4327	Decal - Operation	3- 15
C563 4327	Decal - Operation	13- 2
C563 4330	Decal - Key Switch	3- 22
C563 4330	Decal - Key Switch	13- 3
C563 4409	Indicator	3- 2
C563 4412	LCT Indicator	3- 4
C563 4413	Indicator Cover	3- 5
C563 4415	Joint Arm	3- 3
C563 4416	Indicator Arm	3- 39
C563 4510	Rear Cover	3- 33
C563 4512	Rear Side Plate	3- 35
C563 4514	Lower Cover	3- 1
C563 4514	Lower Cover	3- 34
C563 4516	Left Cover Bracket	5- 22
C563 4518	Right Cover Bracket	7- 33
C563 4540	Left Guide Plate	3- 20
C563 4541	Right Guide Plate	3- 21
C563 5100	I/O Control Board	5- 1
C563 5304	Tray Harness	7- 34

Part No.	Description	Page and Index No.
C563 5305	Paper Sensor Harness	7- 26
C563 5306	Paper Size Sensor Harness	7- 14
C563 5307	Cassette Relay Harness	5- 16
C563 5320	Paper Tray Harness	3- 17
C563 5321	Main Hrness	5- 5
C563 5800	LCT Main Switch	3- 6
C563 5802	DC Motor - 24V 13W	5- 36
C563 5803	DC Motor - 24V	9- 34
C563 5810	LCT Relay Harness	5- 7
C563 5820	Power Supply Harness	5- 6
C563 6112	Joint Bracket	9- 26
C563 6114	Position Bracket	3- 13
C563 6116	Positioning Pin	3- 11
C563 6117	Spring	3- 12
C563 6121	Decal - Paper Switch	3- 14
C563 6121	Decal - Paper Switch	13- 1
C563 6127	Decal - Tray Safety	3- 8
G012 2345	Decal - Paper Limmit	11- 3
G012 2345	Decal - Paper Limmit	13- 5
G012 3050	Side Fence Gear	11- 9
G657 2056	End Fence	11- 11

Part No.	Description	Page and Index No.
A006 2982	Spacer - M6x9	5- 32
A053 7620	Operation Board - LCT	3- 24
A134 2967	Bottom Lift Lever	11- 6
A380 1433	Timing Pulley - S2M T70	5- 28
A380 1434	Timing Belt - S2M T76	5- 29
A380 1803	Timing Pulley - S5M 22Z	9- 3
A422 5270	Photosensor	7- 19
A507 1096	Philips Screw - M5x6	9- 24
5205 2960	Actuator - A3	11- 5
5205 2961	Actuator - B4	11- 5
5205 2962	Actuator - A4R	11- 5
5205 2963	Actuator - B5R	11- 5
5205 2964	Actuarot - A4	11- 5
5205 2965	Actuator - B5	11- 5
5205 2966	Actuator - A5R	11- 5
5205 2970	Actuator - A6R	11- 5
5205 5253	Photointerruptor Pack	5- 19
5353 4258	Screw - Slider	3- 37
5403 2819	Spring Anchor - Reverse Roller	5- 4
5413 2266	Spring Anchor	7- 6
5446 2865	Guide Screw - 6mm	9- 21
5507 6828	Rubber Plate - Feed Table	7- 28
5507 6828	Rubber Plate - Feed Table	11- 16
5875 2088	Shoulder Screw - M4	3- 36

Part No.	Description	Page and Index No.
0313 0040Z	Philips Pan Head Screw - M3x4	3-103
0313 0050Z	Philips Screw - 3x5	3-105
0313 0050Z	Philips Screw - 3x5	7-108
0313 0050Z	Philips Screw - 3x5	9-112
0313 0060Z	Philips Pan Head Screw - M3x6	5-114
0313 0100Z	Philips Pan Head Screw - M3x10	7-106
0313 0100Z	Philips Pan Head Screw - M3x10	9-107
0313 0120Z	Philips Screw - 3x12	9-110
0314 0050Z	Philips Pan Head Screw - M4x5	3-110
0314 0060Z	Philips Pan Head Screw - M4x6	3-101
0314 0060Z	Philips Pan Head Screw - M4x6	5-109
0314 0060Z	Philips Pan Head Screw - M4x6	5-111
0314 0060Z	Philips Pan Head Screw - M4x6	7-102
0314 0060Z	Philips Pan Head Screw - M4x6	9-104
0344 0060F	Philips Truss Head Screw - M4x6	3-111
0344 0060F	Philips Truss Head Screw - M4x6	7-114
0344 0080F	Philips Truss Head Screw - M4x8	3-113
0573 0030E	Hexagon Headless Set Screw - M3x3	5-118
0574 0040E	Hexagon Headless Set Screw - M4x4	5-113
0708 0040Z	Flat Washer - M4	5-119
0708 0040Z	Flat Washer - M4	7-113
0720 0020Z	Retaining Ring - M2	3-112
0720 0025E	Retaining Ring - M2.5	9-119
0720 0030E	Retaining Ring - M3	7-105
0720 0040E	Retaining Ring - M4	3-107
0720 0040E	Retaining Ring - M4	9-111
0720 0060E	Retaining Ring - M6	5-102
0720 0060E	Retaining Ring - M6	9-105
0720 0060E	Retaining Ring - M6	11-102
0720 0080E	Retaining Ring - M8	7-103
0725 0100E	Retaining Ring - M10	9-114
0725 0120E	Retaining Ring C - M12	9-103
0725 0140E	Retaining Ring (C Type) - M14	7-104
0727 0080E	Retaining Ring - M8	5-108
0741 3006	Ball Bearing - 6x17x6mm	5-115

Part No.	Description	Page and Index No.
0741 3006	Ball Bearing - 6x17x6mm	9-113
0741 3808	Ball Bearing - 8x16x5mm	9-106
0800 0072	Philips Pan Head Screw - M2.6x4	5-117
0802 5233	Tapping Screw - M3x10	9-117
0802 5237	Tapping Screw - M4x10	3-114
0802 5237	Tapping Screw - M4x10	5-110
0803 0018	Knob Screw	3-108
0803 0018	Knob Screw	7-107
0803 0041	Shoulder Screw	9-115
0805 3238	Clutch	5-116
0807 5056	Washer - 8.1mm	9-116
0951 3005Z	Philips Pan Head Screw - M3x5	5-101
0951 3005Z	Philips Pan Head Screw - M3x5	7-101
0951 3006Z	Philips Screw With Flat Washer - M3	3-104
0951 4006Z	Philips Screw With Flat Washer - M4	3-106
0951 4006Z	Philips Screw With Flat Washer - M4	5-105
0951 4008Z	Philips Screw With Flat Washer M4x8	5-103
0951 4008Z	Philips Screw With Flat Washer M4x8	9-118
0960 4008Z	Flange Head Screw - 4x8	5-106
0960 4008Z	Flange Head Screw - 4x8	7-109
0965 3006B	Tapping Screw With Flat Washer M3x6	11-101
0965 4008B	Tapping Screw - M4x8	3-102
1105 0008	Nylon Clip - 2N	7-110
1105 0012	Nylon Clip - 10N	3-109
1105 0012	Nylon Clip - 10N	5-104
1105 0016	Nylon Clip - 4N	5-107
1105 0016	Nylon Clip - 4N	7-111
1105 0229	Clamp	7-112
1105 0229	Clamp	9-108
1105 0291	Wire Saddle	9-102
1105 0334	Edge - 17	5-112
1105 0334	Edge - 17	9-101
1204 2356	Micro Switch - AM51612A531	3-116
1204 2356	Micro Switch - AM51612A531	9-109